

keylezz®



Keylezz® Turn *Multiflex*



Operating and assembly instructions

Package contents



Keylezz® Turn



6 different levers, washer and screw



2 nuts



2 mounting plates for wooden doors



2 AAA batteries



Locking angle

Optionally included in the scope of delivery (sample box)

Fixcode (Fixed assignment)

3 x User card (Benutzerkarte)



1 x test card (Testkarte)



Screwdriver



Freelocker (Free choice of locker)

3 x emergency opening card (Notöffnungskarte)



1 x test card (Testkarte)

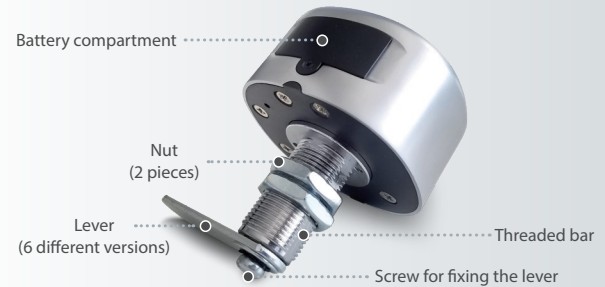


Screwdriver



Technical data

Weight	Weight of sample box: 300 g	Weight of Keylezz® Turn: 190 g
Electrical data	Usable technologies	LEGIC Prime, Advant und CTC; MIFARE DES Fire und Classic; ISO 15693, ISO 14443A
	Battery type	2 x AAA batteries
Environmental conditions	Operating temperature	0° C to +50° C
	Operating relative humidity	20 % to 75 % (non-condensing)
Dimensions	Basic dimensions in mm (LxWxD)	55 x 55 x 29 mm (without threaded bar)
	Threaded bar	30 mm



Battery life – beep function

The lock signals in a period of 60 days with a melody when operated that the battery is getting low (an alarm). With the last power comes an End of Life melody and the deadbolt opens. This ensures that the batteries can be changed, for example. The lock settings are not deleted, but the time is reset after 24 hours. The authorisations remain as they were!

Commissioning

- Remove the protective film from the battery compartment; alternatively, open the battery compartment with the enclosed screwdriver, insert the batteries and close it again.
- Wait for the start-up process, the lock beeps briefly and both LEDs light up.
- The lock is now ready for operation

The choice of usage mode

Fixed assignment or Freelocker

The **Keylezz® Turn Multiflex** has two modes, **Freelocker** and **Fixed Assignment**, which you can switch between. To do this, you need the **Keylezz® Lock Configurator** smartphone app or the **Keylezz® Lock Manager** management software.

1. Fixed assignment (Fixcode)

In this mode, users are permanently assigned to the lock. Compared to the Freelocker mode, several users can be authorised to a lock.

2. Freelocker (free choice of locker)

In this mode, each user can select an unoccupied locker. The locker is locked with the user card and becomes available again for new users after use.

Programming and management options

You have the following two options for programming and managing the **Keylezz® furniture locks**:

1. Keylezz® Lock Configurator

Program and manage the **Keylezz® furniture locks** conveniently via your smartphone with the app **Keylezz® Lock Configurator app**. The instructions for the app can be found in the download area at www.keylezz.de/downloads



2. Keylezz® Lock Manager

Keylezz® Lock Manager is the management software for **Keylezz® furniture locks**. Management via the **Keylezz® Lock Manager** offers you many advantages. Log in using your access data and follow the wizard during setup.

Clearly structured and divided into the areas: locks, people, profiles and events. This gives you a quick overview and immediate access to the individual options and settings..



Lock to factory settings

You have three options for resetting the lock to the factory settings:

- via smartphone app **Keylezz® Lock Configurator**
- via Software **Keylezz® Lock Manager** software
- directly on the lock

Reset at the lock

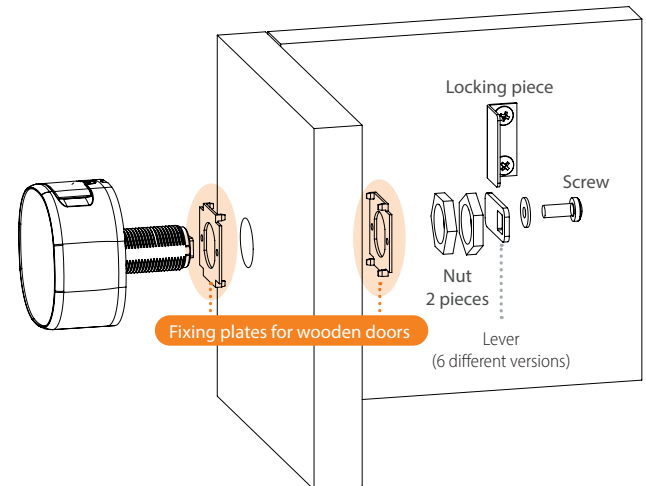
- On the back of the lock there is a small hole behind which there is a RESET button (picture left, orange circle)
- Now insert a paper clip bent apart or a small pin into the hole and press for a few seconds until you hear a long beep.
- The lock is now reset to the factory settings.



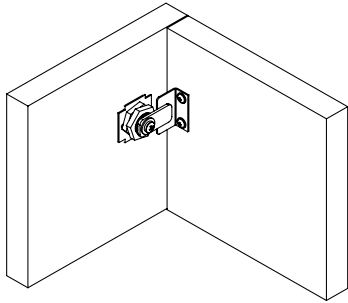
Assembly

The installation refers to installation in metal doors. When installing in **wooden doors**, please take the **orange note** into account. For metal doors, the coloured dots do not apply.

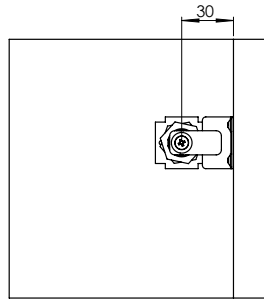
- If existing, remove existing lock
- Check existing hole - standard 19 mm
- If necessary, drill/extend hole to 19 mm
- For wooden doors, place the first fixing plate on the threaded web and press into the front, hammer if necessary
- Guide Keylezz® Turn through the opening
- For wooden doors, place the second fixing plate on the threaded web and press into the inside of the wood, hammer if necessary
- Counterlock the lock on the inside with the two nuts supplied
- Select the appropriate lever and fix it with the screw. Finally, mount the striker on the side wall accordingly
- Finally, mount the locking piece on the side wall accordingly



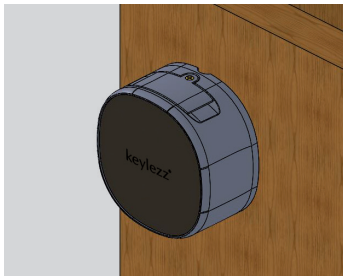
Technical illustration



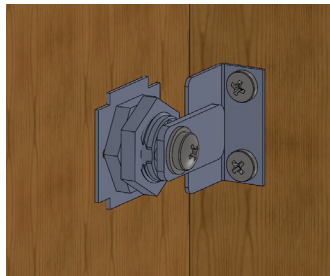
3D view



View inside door



Exterior view



View inside door

Safety instructions & important information

Important: If the door is closed during commissioning or battery replacement without the battery being inserted, the door cannot be opened via the radio technology: Breaking open the door is necessary. Follow the detailed instructions for installing and commissioning the radio system. When changing the battery, pay attention to the polarity (+/-). The polarity (+/-) is marked on the bottom of the battery compartment and on the battery. Never store locks with inserted battery directly next to each other and also not together with data carriers, otherwise the battery will be discharged.

Important: When installing the lock and locking part, make sure that the door is not braced and that this bracing is transferred to the locking system. There is a risk that the latch can no longer open → Malfunction. Avoid doors that are preloaded by a sealing rubber.

Intended use

Authorized opening of an electronic lock in wooden furniture by means of a coded chip. This chip can be in the form of an ID card (check card format) or key fob. The function of the lock is guaranteed only if it is placed on non-conductive materials (wood, plastic) with a maximum material thickness of 20 mm. The reading distance also depends on the transponder design. In case of a higher material thickness, metal doors or doors with metal overlay, an external antenna should be attached.

Predictable abuse

If the lock is used in an explosive environment, outside the stated specifications or for damage resulting from improper use, the operator bears sole responsibility and the manufacturer accepts no liability.

Conversions or modifications

Any modifications to the latch lock are not permitted. The electromagnetic behavior of the latch can be impaired by additions or modifications of any kind. Therefore, do not make any changes or additions to electrical/electronic components, otherwise the warranty and guarantee claim will become void.

Spare and wear parts and auxiliary materials

The use of spare parts from third-party manufacturers can lead to hazards. Only use original parts or parts approved by the manufacturer. The manufacturer accepts no liability for damage resulting from the use of spare parts not approved by the manufacturer.

EEC Declaration of Conformity

in accordance with the directives

2004/108/EC	Directive on electro-magnetic compatibility (EMC)
1999/5/EC 1999	Directive on radio equipment and telecommunications, terminal equipment and the mutual recognition of their conformity (R&TTE)
2002/96/EC 2003	Directive on waste electric and electronic equipment (WEEE)
2011/65/EC	Directive on the restriction of the use of certain hazardous substances in electrical and electronic equipment (recast)

for the product: Keylezz® Fallenschloss

The following harmonised standards are applied:

EN 300330.2 V1.3.1 : 2006 EN 301489-3 V1.4.1 : 2002
EN ISO 12100: 2010 EN 50364 : 2010



Warranty conditions

This product has been carefully designed, manufactured and carries a warranty against defects in materials or workmanship at the time of purchase. The warranty is valid for 12 months from the date of purchase and may be claimed upon presentation of proof of purchase, if applicable. The warranty obligation is limited to rectification of defects by repair or replacement of the products free of charge. Costs and risks of transportation, assembly and disassembly expenses, as well as any other costs associated with the repair cannot be reimbursed. Liability for consequential damage to the device, of whatever nature, is excluded in principle.

Disposal

Danger! The electronics of the latch lock contain a lithium-ion battery. Dispose of this battery in accordance with national regulations and not in household waste. When disposing of partially discharged batteries, make sure that no

When disposing of partially discharged batteries, make sure that no unintentional short circuits (e.g. caused by key rings in clothing pockets) can occur between the poles of the battery. Risk of explosion and fire. When transporting the locks, pack the battery in such a way that no short circuit can occur (e.g. tape the poles with non-conductive adhesive tape).

Important! Separate the electronics of the latch lock from the remaining parts and dispose of them according to local regulations and guidelines.

